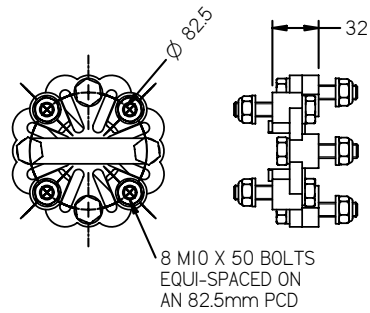
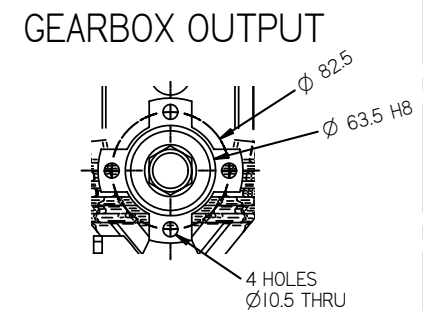
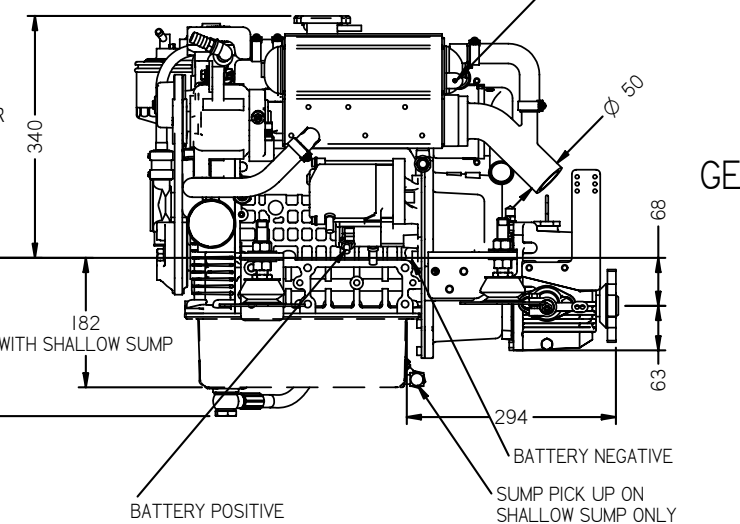
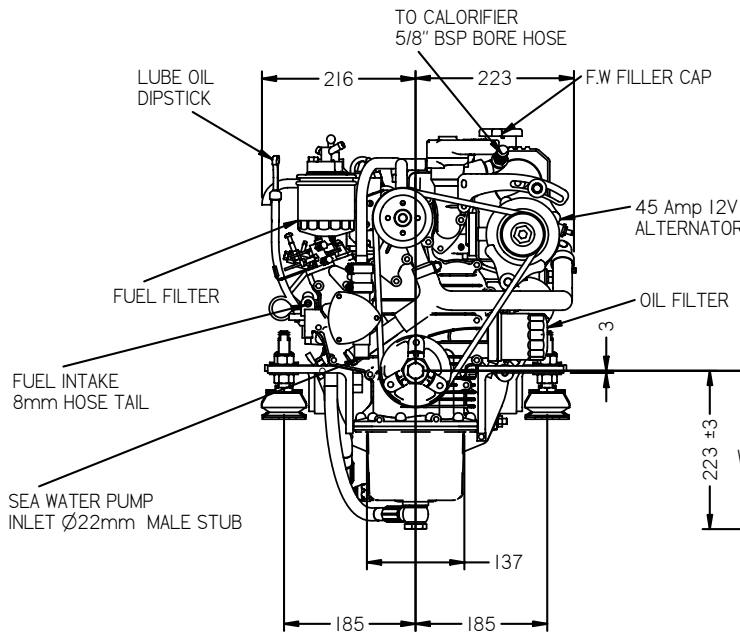
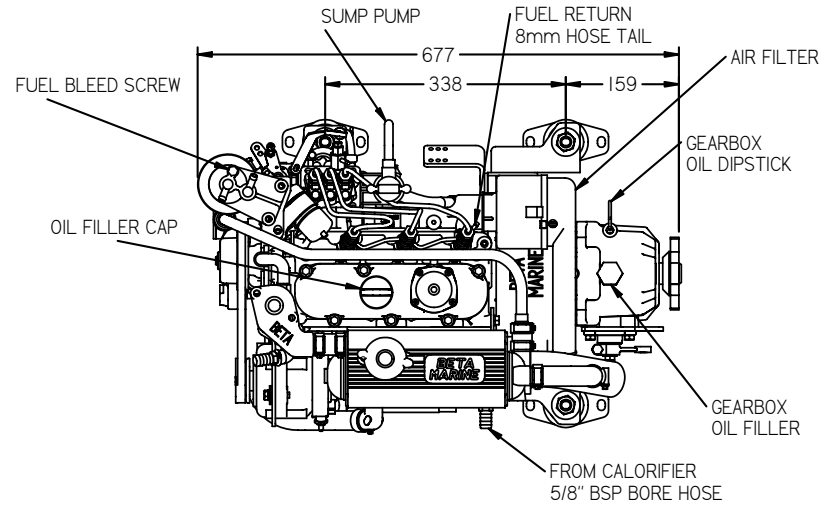
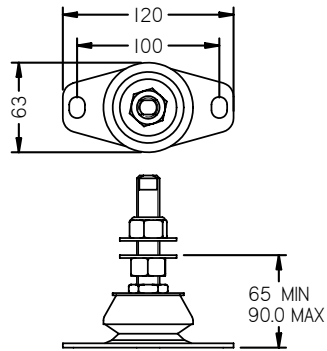


FLEXIBLE COUPLING DETAILS



FLEXIBLE MOUNT DETAILS



REV	DESCRIPTION	DATE	APP'D	DRAWN	NOTES
01	CALORIFIERS AND SHALLOW SUMP	19/01/06		TW	

DIMENSIONS IN MM (INCH)
DO NOT SCALE

BETA MARINE LTD.
MERRETT'S MILLS,
BATH ROAD,
SOUTH WOODCHESTER,
STROUD, GLOS. GL5 5EU

TEL: (01453) 835282 FAX: (01453) 835284

TITLE **BETA 25 (BD902) HEAT EXCHNGE
TMC40 GEARBOX**

DRAWN BY: TW SIZE A4 DWG NO. 100-06495 REV 01

CHECKED BY: SCALE PAGE 1 of 1 DATE 19/01/2006