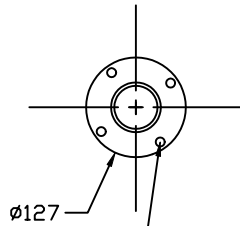
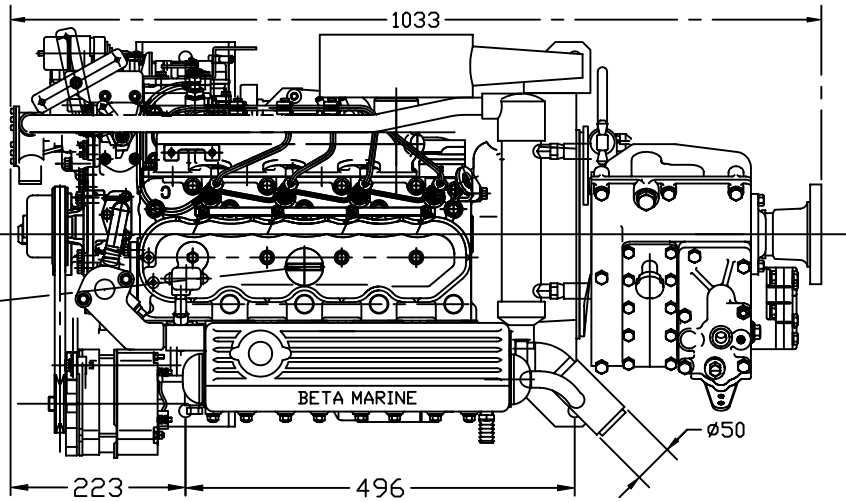


PROP TAKEOFF DETAILS



4 HOLES Ø11.50 EQUI-SPACED
ON 107.90 P.C.D.



OIL FILLER CAP

BETA MARINE

Ø50

223

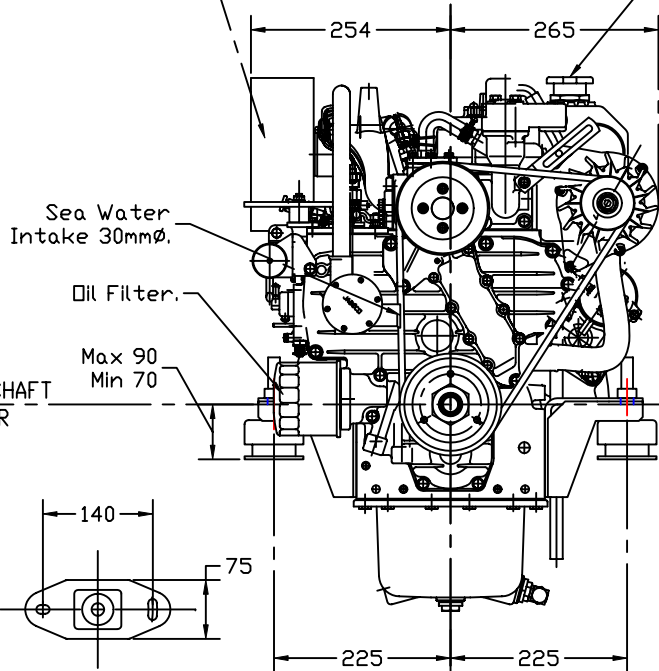
496

Air Filter.

Water Filler Cap.

DIPSTICK (LUB OIL)

WASTING ANODE



Sea Water Intake 30mmØ.

Oil Filter.

Max 90
Min 70

417

BETA MARINE

SUMP PUMP

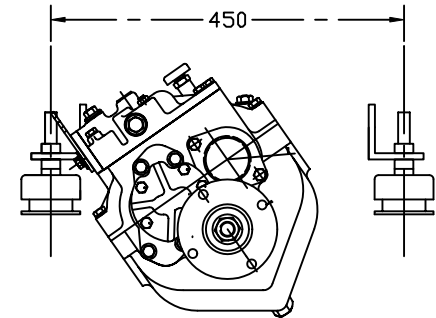
263

89

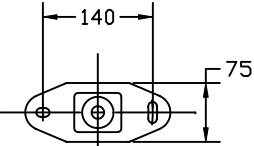
223

496

314



FLEX-MOUNT PAD DETAILS.



REV	DESCRIPTION	DATE	APP'D
01	DIPSTICK AND ANODE	22/02/06	DM

ALL DIMENSIONS IN MM

BETA MARINE

DRAWN BY:- TW
CHECKED BY:- L.F.T

COMPLETE UNIT			
TITLE BV1903-2203-H/E-PRM260			
SIZE	DWG NO.	100-01351	REV 01
SCALE	NTS	DATE	28/03/00