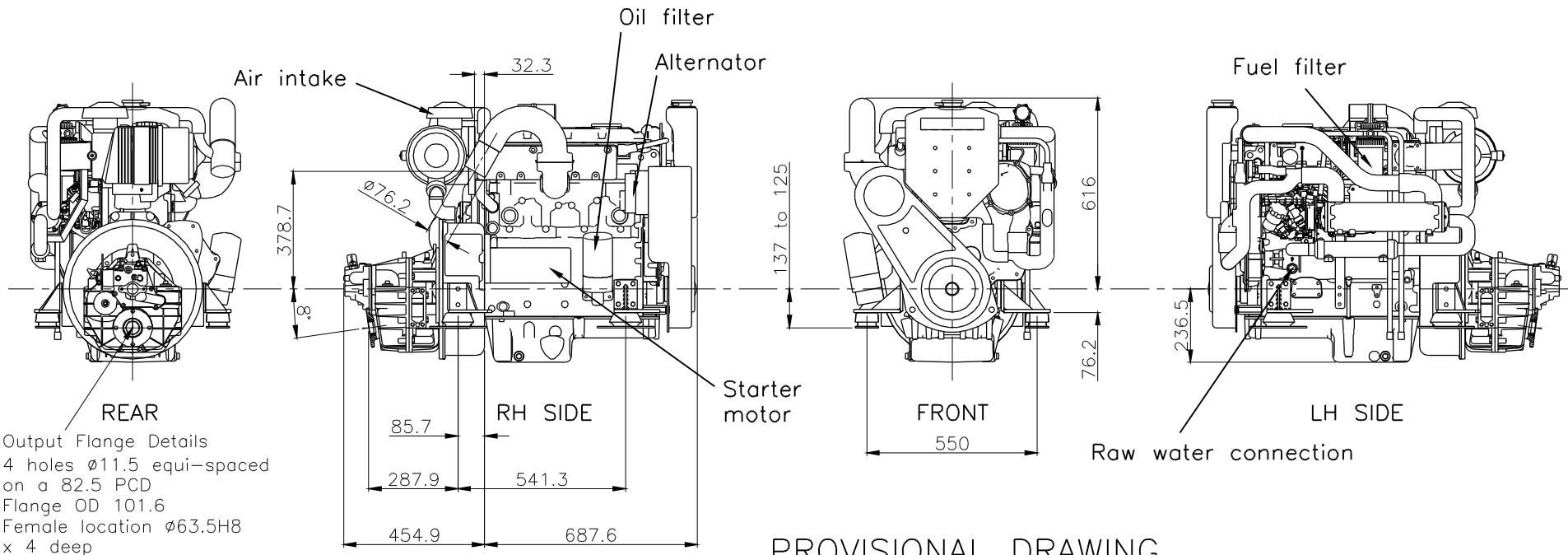
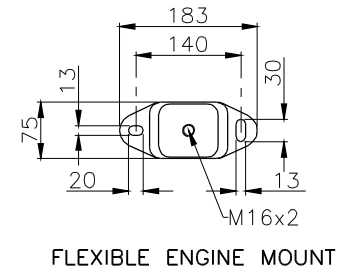
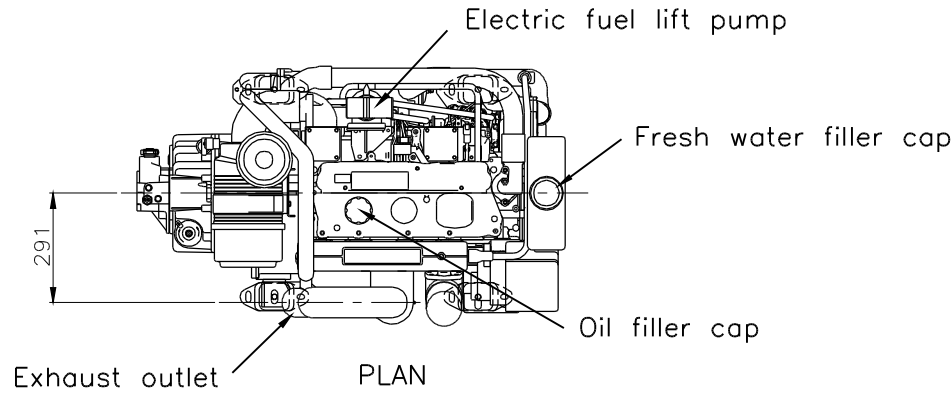


Perkins Sabre M92B Marine Diesel Engine  
 shown with ZF 45A gearbox with reduction ratios  
 up to and including 2.03:1 (550mm transverse mounting centres)

SABRE ENGINES LTD  
 Wimborne, Dorset, England.  
 Tel. +44(0)1202 893720  
 Fax. +44(0)1202 851700  
 E-mail. Post@Sabre-engines.co.uk  
 www.Perkins-Sabre.com



PROVISIONAL DRAWING

Doc No. 7352-1-04