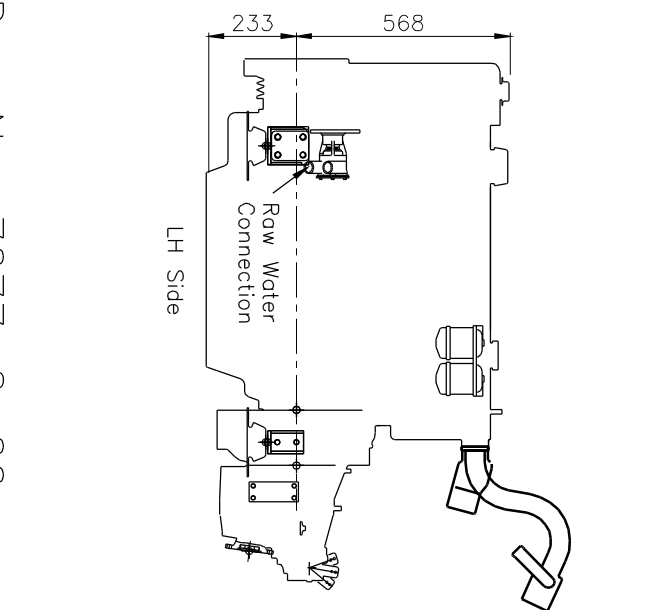
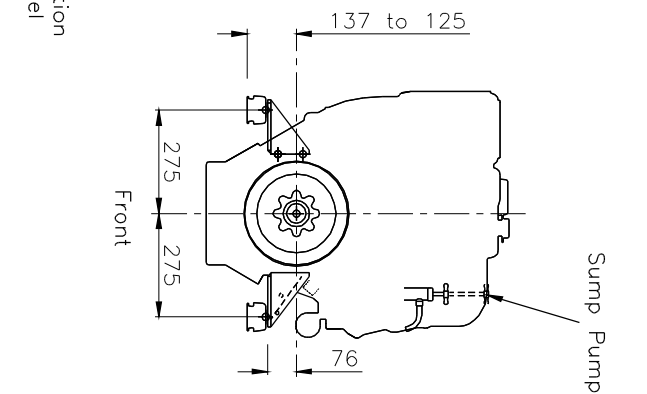
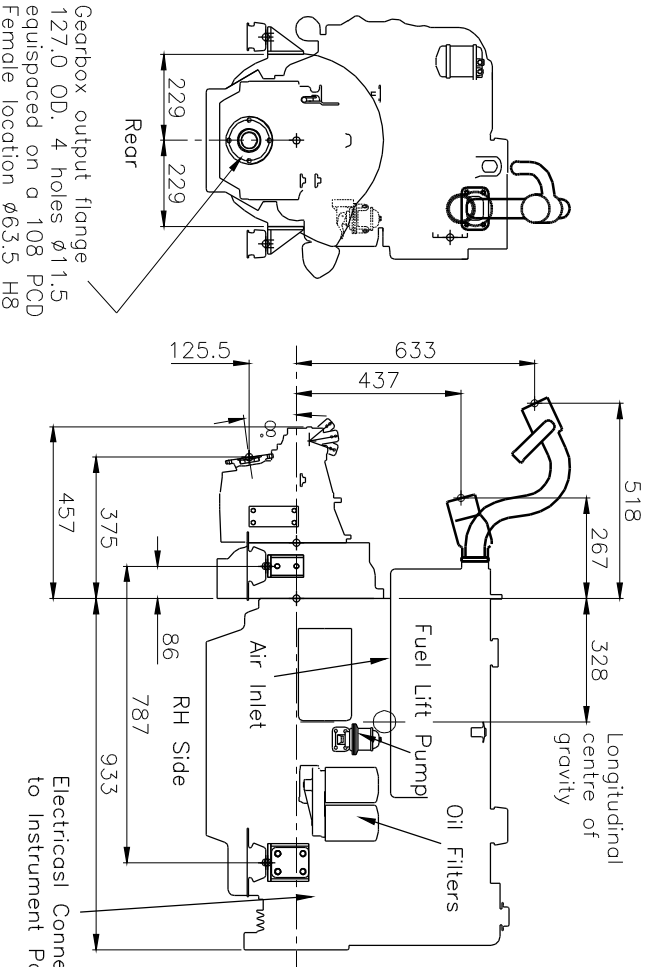
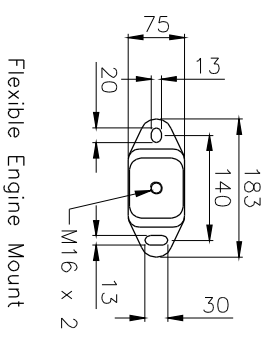
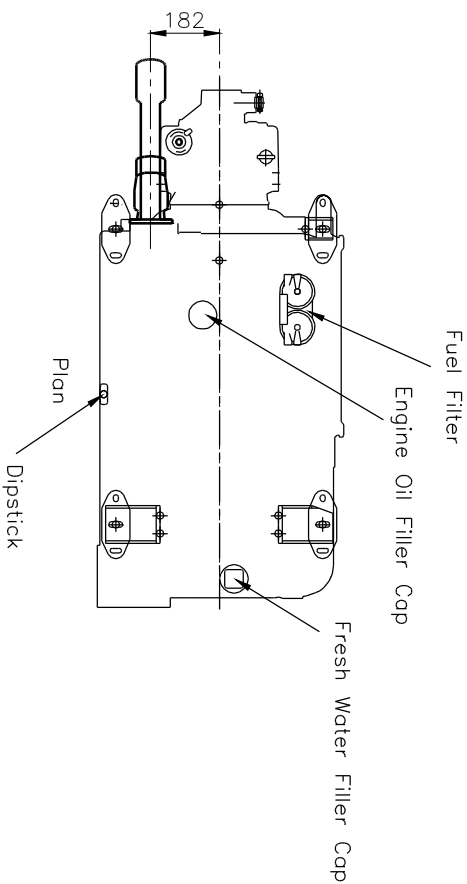


Perkins Sabre M130C and M135 Marine Diesel Engine
 shown with the Hurth HSW 450A gearbox (Ratios up to and including 2:1)
 (550mm transverse mounting centres)

SABRE ENGINES LTD
 Wimborne, Dorset, England.
 Tel. +44(0)1202 893720
 Fax. +44(0)1202 851700
 E-mail. Post@Sabre-engines.co.uk
 www.Perkins-Sabre.com



Gearbox output flange
 127.0 OD. 4 holes ϕ 11.5
 equispaced on a 108 PCD
 Female location ϕ 63.5 H8