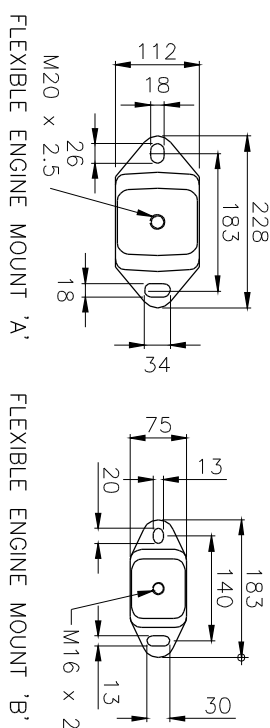
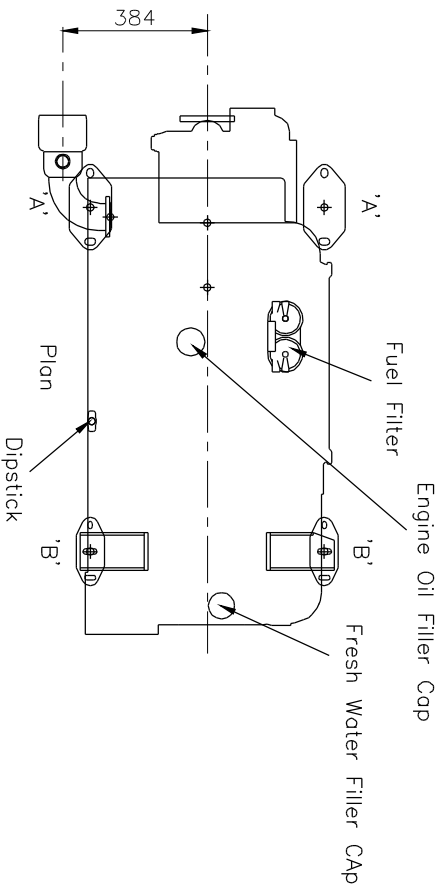
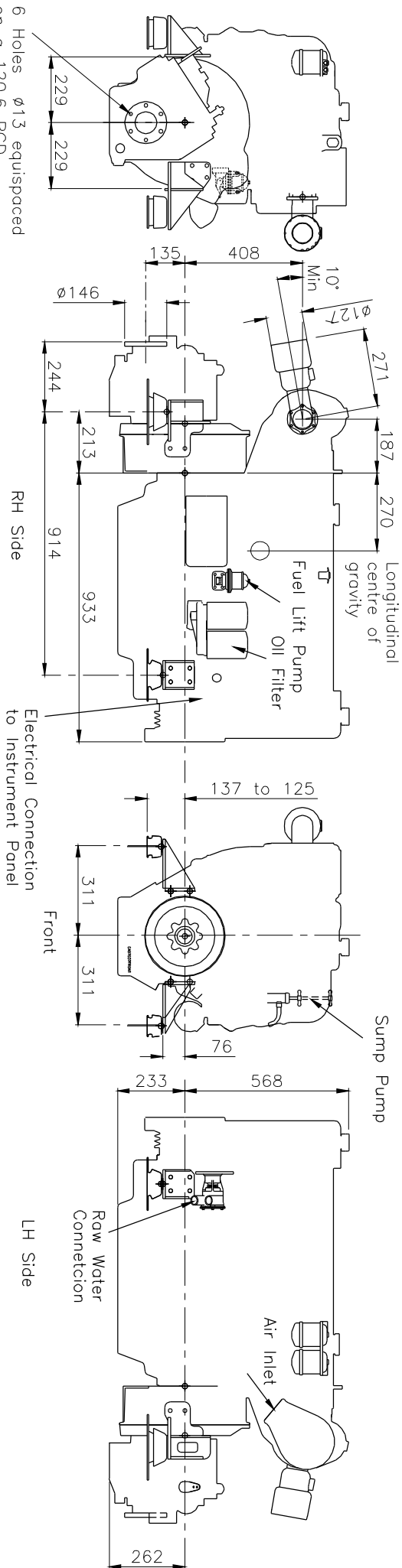


Perkins Sabre M185, M215C & M225Ti Marine Diesel Engine shown with the PRM 1000D gearbox (Ratios above 2:1) (622mm transverse mounting centres)

SABRE ENGINES LTD
 Wimborne, Dorset, England.
 Tel. +44(0)1202 893720
 Fax. +44(0)1202 851700
 E-mail: Post@Sabre-engines.co.uk
 www.Perkins-Sabre.com



FLEXIBLE ENGINE MOUNT
 Weights on each mount
 Front 166.2kg
 Rear 202.1kg
 Total Wet Weight 736.6kg



6 Holes $\phi 13$ equispaced on a 120.6 PCD
 Female location $\phi 76.23/\phi 76.26$

Rear

DOC 7029-7-00