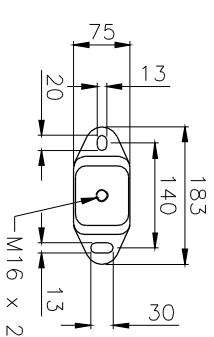
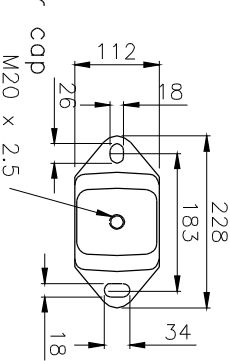
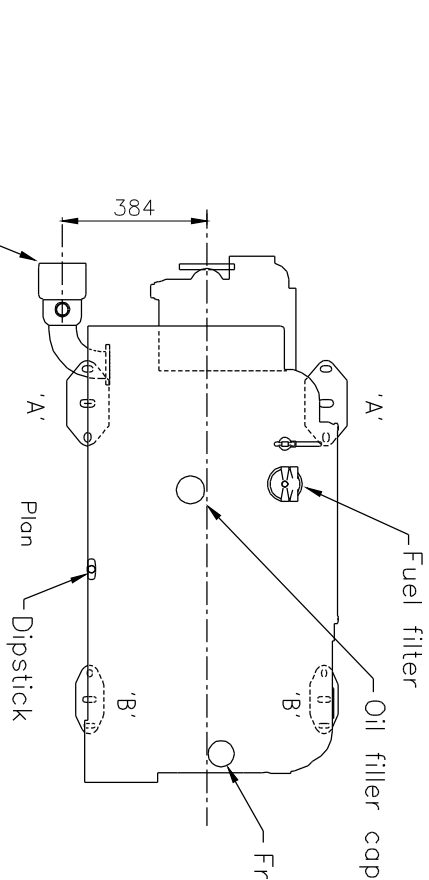
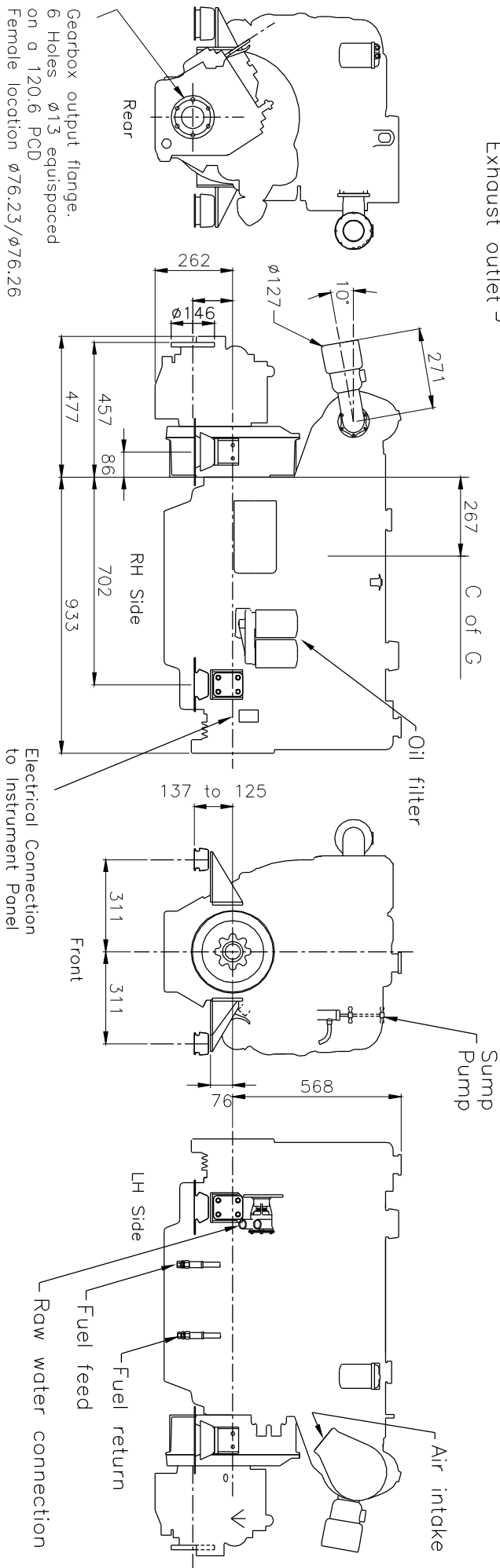


Perkins Sabre M265Ti and M300Ti Marine Diesel Engine shown with PRM 1000D gearbox with reduction ratios up to and including 2:1 (622mm transverse mounting centres)

SABRE ENGINES LTD
 Wimborne, Dorset, England.
 Tel. +44(0)1202 893720
 Fax. +44(0)1202 851700
 E-mail. Post@Sabre-engines.co.uk
 www.Perkins-Sabre.com



Weights on each mount:
 Front - 186kg per mount
 Back - 195kg per mount
 Total Wet Weight - 762kg



Gearbox output flange:
 6 Holes $\phi 13$ equispaced
 on a 120.6 PCD
 Female location $\phi 76.23/\phi 76.26$